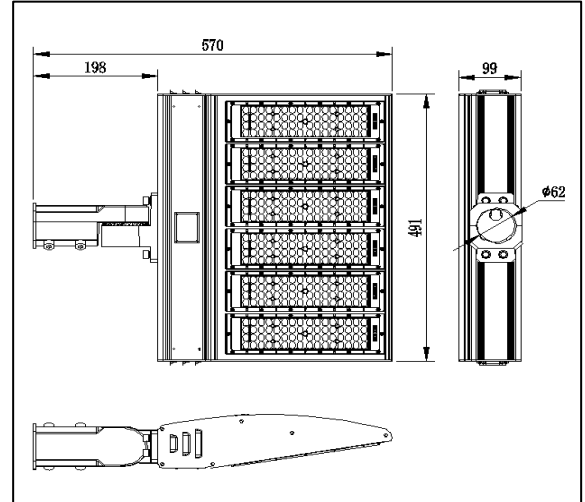


Janus 300W Shoe Box Floodlight 5000K



MODEL	CS-YHL-ST10-300-5000K	UGR	NA
LED BRAND & TYPE	Nichia	HOUSING COLOUR	Dark Grey
DRIVER BRAND & TYPE	Inventronics	MATERIAL	PL lens
INPUT VOLTAGE (V)	AC 100-277V	IP	IP65
PROTECTION CALSS	Class I	IK	IK10
SPD (KV)	10KV	AMBIENT TEMPERATURE (°C)	45°C
POWER FACTOR (PF)	≥0.95	OPERATING TEMPERATURE (°C)	-40°C ~ +45°C
WATTAGE (W)	300W	DIMMABLE (Y/N)	No
FLICKER FREE (Y/N)	Yes	DIMMING TYPE	NA
LUMEN OUTPUT (LM)	42000lm	INSTALLATION TYPE	Pole
EFFICACY (LM/W)	140lm/W	DIMENSION (mm)	L570×W491×H99 mm
COLOUR TEMPERATURE (K)	5000K	NET WEIGHT (kg)	4.6kg±0.2kg
BEAM ANGLE (°)	65*140° (50*130° optional)	LIFESPAN (hr.) @L70B50	≥100000 Hrs.
CRI (Ra)	75 Ra	WARRANTY (yr.)	5 Years
SDCM	< 5	COMPLIANCE	SAA