



SHOP SMART. SHOP VALUE
SHOP *differently*



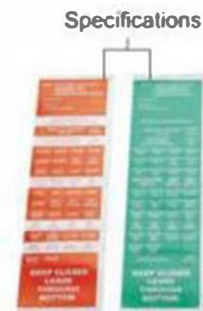
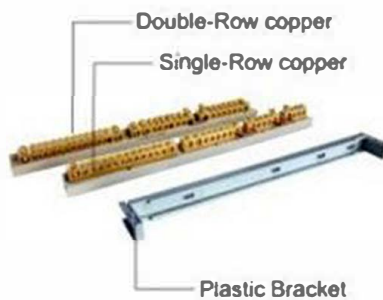
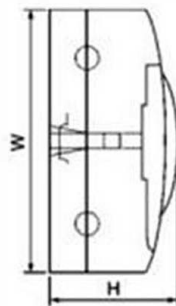
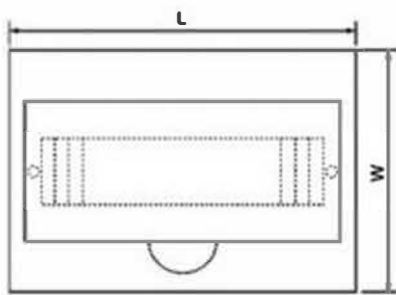
FEATURES:

- ▶ Standard: IEC 60439-3
- ▶ Electric ratings: up to 100A, 240/415V, AC 50/60Hz
- ▶ No.Of mounted units: 4, 6, 8, 10, 12, 18, 24, 36 ways
- ▶ On-load current(A): 100/1-phase, 63/3-phase
- ▶ IP Rating: IP40
- ▶ Material of body: HIPS, ABS, ABS-UV Fire Resistant
- ▶ Transparent Door: AS, UV Resistant PC



AB-MS SERIES OF SURFACE MOUNTING

Part No.	Dimensions(mm)			Ctn
	L	W	H	
AB-MS 4 Ways	112	201	100	20
AB-MS 6 Ways	148	201	100	20
AB-MS 8 Ways	184	201	100	20
AB-MS 10 Ways	220	201	100	10
AB-MS 12 Ways	256	201	100	10
AB-MS 18 Ways	364	222	100	10
AB-MS 24 Ways	270	325	100	10
AB-MS 36 Ways	305	473	100	5

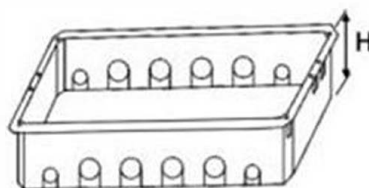
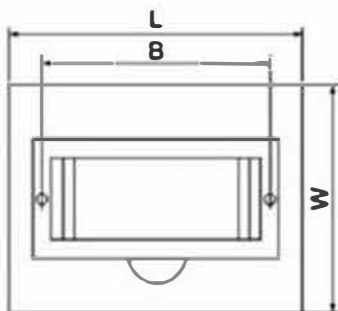


FEATURES:

- ▶ Standard: IEC 60439-3
- ▶ Electric ratings: up to 100A, 240/415V, AC 50/60Hz
- ▶ No.Of mounted units: 4, 6, 8, 12, 15, 18, 24, 36ways
- ▶ On-load current(A): 100/1-phase, 63/3-phase
- ▶ IP Rating: IP40
- ▶ Material of body: HIPS, ABS, ABS-UV Fire Resistant
- ▶ Transparent Door: AS, UV Resistant PC

AB-MF SERIES OF FLUSH MOUNTING

Part No.	Dimensions(mm)				Ctn
	L	W	H	B	
AB-MF4Ways	136	222	93	86	20
AB-MF6Ways	172	222	93	122	20
AB-MF/D6Ways	192	247	93	122	20
AB-MF8Ways	208	222	93	158	20
AB-MF/D8Ways	228	247	93	158	20
AB-MF 12Ways	280	222	93	230	10
AB-MF/D12Ways	305	247	93	230	10
AB-MF 15Ways	334	222	93	283	10
AB-MF/D15Ways	354	247	93	283	10
AB-MF 18Ways	398	252	103	338	5
AB-MF/D18Ways	415	270	103	238	5
AB-MF24Ways	300	345	103	232	5
AB-MF/D24Ways	305	355	103	232	5
AB-MF36Ways	341	503	103	265	5



MOORABBIN

131-133 Keys Road
Moorabbin VIC 3189

ALTONA

1 Drake Boulevard
Altona VIC 3018

EPPING

103 Gateway Blvd
Epping VIC 3076

ALBION

35 Sandgate Road
Albion QLD 4010

AUCKLAND

10 Fairfax Avenue, Penrose
Auckland 1061, New Zealand

sales@jh.market
www.jh.market

sales@jhmarket.co.nz
jhmarket.co.nz

AU National: 1300 000 808
Queensland: 1300 000 707
NZ National: 0800 748 848