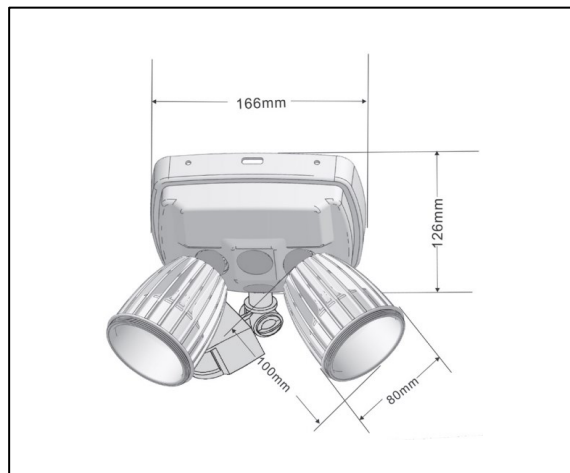


JinHang 24W Double LED Wall Light V2



MODEL	JH-SWL2-V2-24W-MIC-3000K	HOUSING COLOUR	Black
	JH-SWL2-V2-24W-MIC-6000K	MATERIAL	Polycarbonate
	JH-WL2-V2-24W-3000K	IP	IP54
	JH-WL2-V2-24W-6000K	OPERATING TEMPERATURE (°C)	-20°C to +40°C
INPUT VOLTAGE (V)	200-240V AC	DIMMABLE (Y/N)	NA
POWER FACTOR (PF)	PF>0.9	DIMMING TYPE	NA
WATTAGE (W)	2X12W	INSTALLATION TYPE	Wall & Surface mount
LUMEN OUTPUT (LM)	3000K: 1,900LM 6000K: 2,200LM	DIMENSION (mm)	Base: W166mm x H126mm Lamp: W80mm x H100mm (without sensor part)
EFFICACY (LM/W)	3000K: 80LM/W 6000K: 90LM/W	NET WEIGHT (kg)	0.8Kg
COLOUR TEMPERATURE (K)	3000K, 6000K	LIFETIME@L70B50	40,000 Hours
BEAM ANGLE (°)	SWL2: Microwave 2-12M (Radius), 180° Detection Angle WL2: 180°	WARRANTY	3 Years
CRI (Ra)	>80	Compliance	SAA, RCM