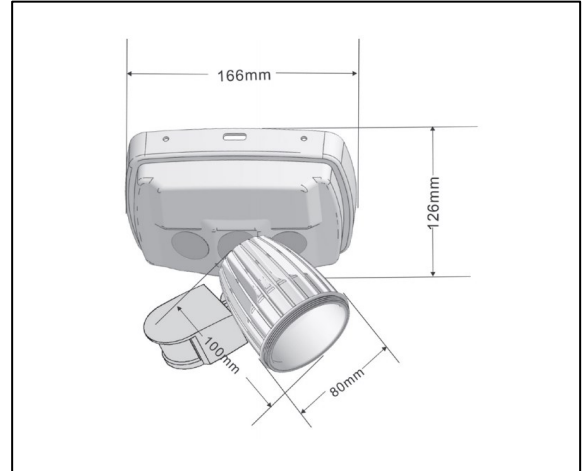


JinHang 12W Single LED Wall Light V2



MODEL	JH-SWL1-V2-12W-MIC-3000K	HOUSING COLOUR	Black
	JH-SWL1-V2-12W-MIC-6000K	MATERIAL	Polycarbonate
	JH-WL1-V2-12W-3000K	IP	IP54
	JH-WL1-V2-12W-6000K	OPERATING TEMPERATURE (°C)	-20°C to +40°C
INPUT VOLTAGE (V)	200-240V AC	DIMMABLE (Y/N)	NA
POWER FACTOR (PF)	PF>0.9	DIMMING TYPE	NA
WATTAGE (W)	12W	INSTALLATION TYPE	Wall & Surface mount
LUMEN OUTPUT (LM)	3000K: 950LM 6000K: 1,100LM	DIMENSION (mm)	Base: W166mm x H126mm Lamp: W80mm x H100mm (without sensor part)
EFFICACY (LM/W)	3000K: 80LM/W 6000K: 90LM/W	NET WEIGHT (kg)	0.6Kg
COLOUR TEMPERATURE (K)	3000K, 6000K	LIFETIME@L70B50	40,000 Hours
BEAM ANGLE (°)	SWL1: Microwave 2-12M (Radius), 180° Detection Angle WL1: 180°	WARRANTY	3 Years
CRI (Ra)	>80	Compliance	SAA, RCM